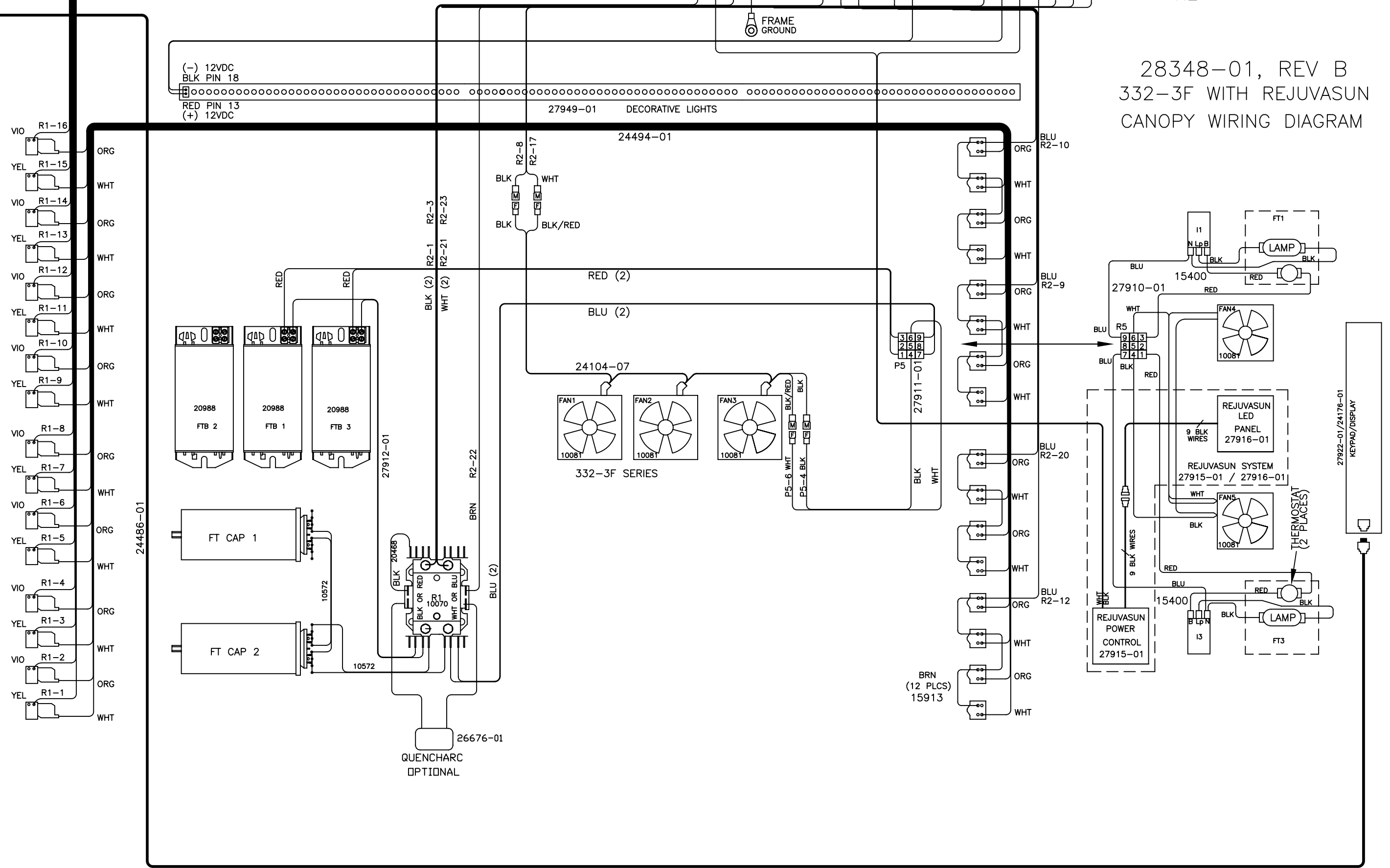


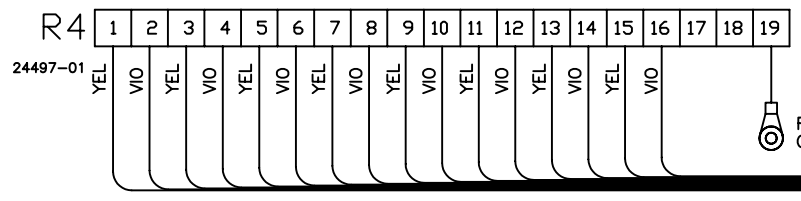
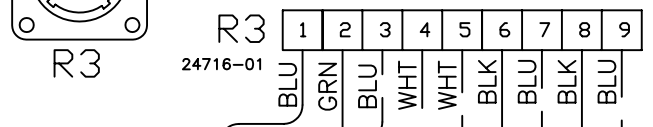
28348-01, REV B  
332-3F WITH REJUVASUN  
CANOPY WIRING DIAGRAM



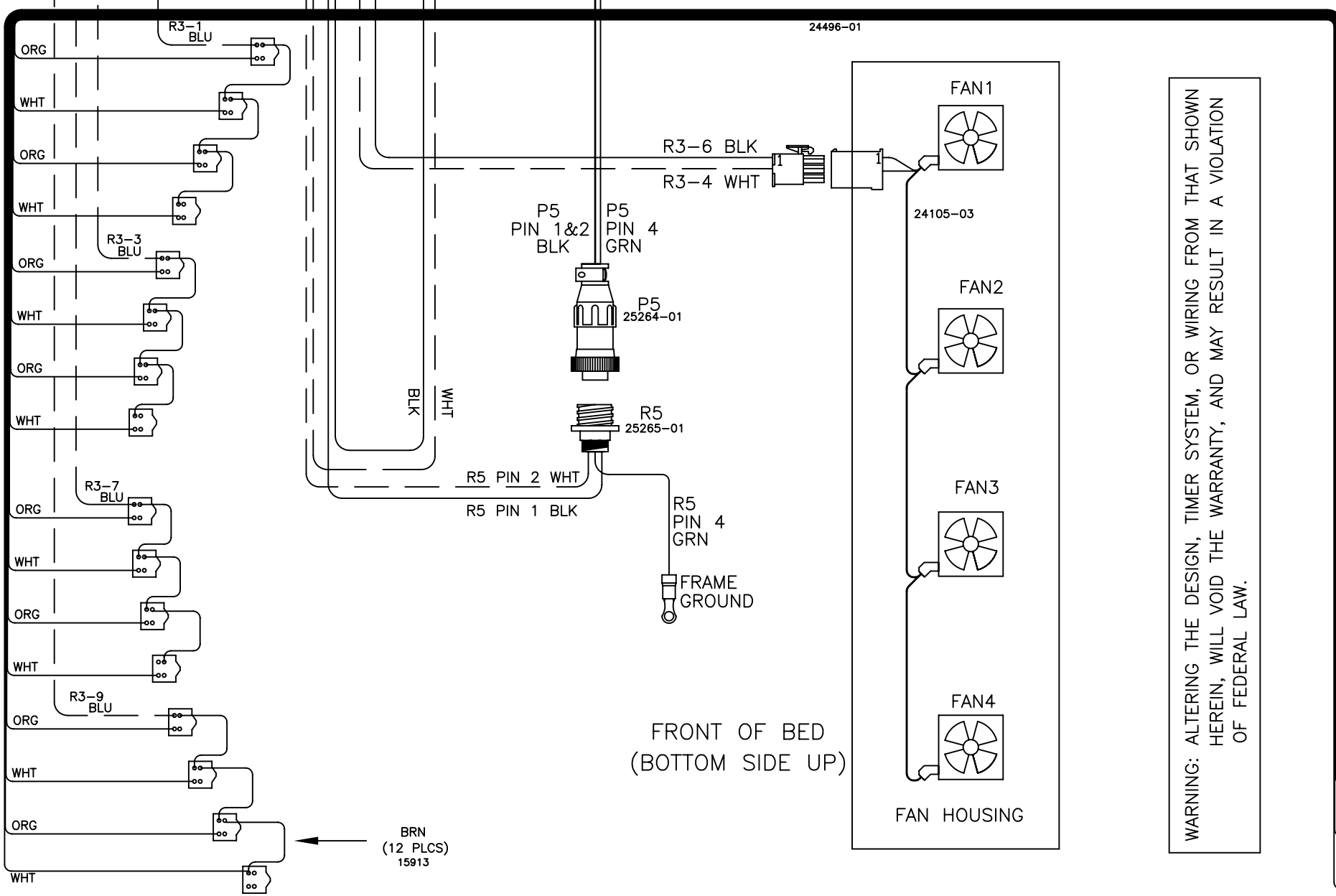
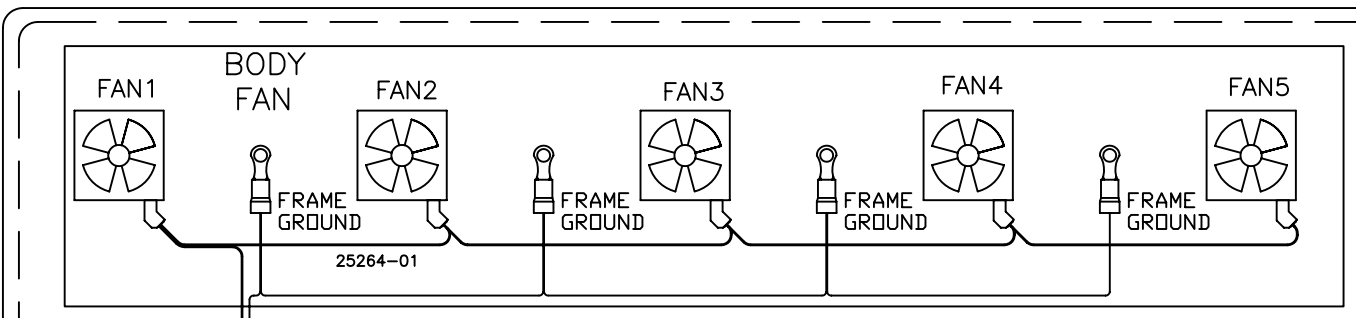
24716-01 ● = PIN USED  
○ = EMPTY

24497-01 ● = PIN USED  
○ = EMPTY

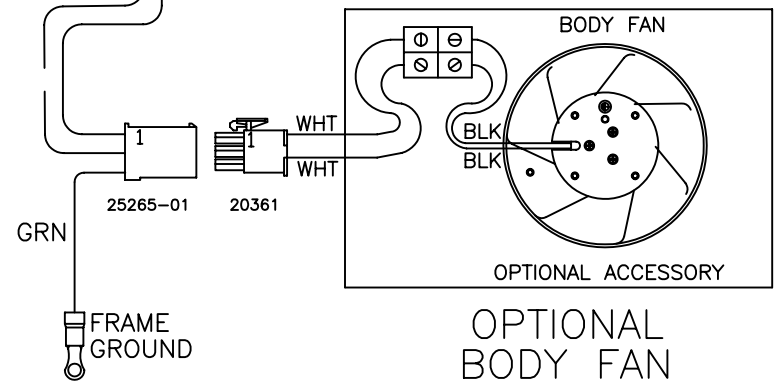
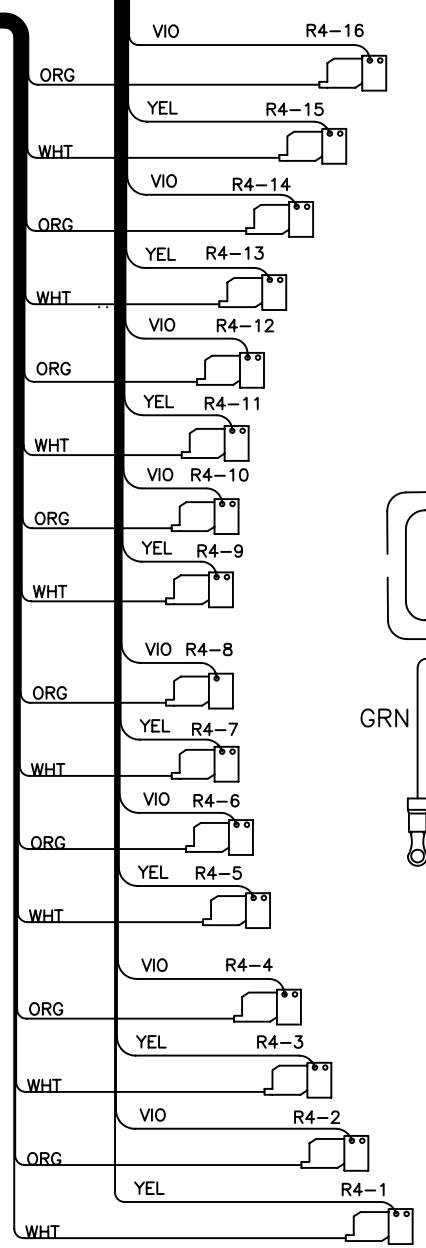
29132-01, REV A  
332-3F WITH REJUVASUN  
BENCH WIRING DIAGRAM



PIN #	R3 FUNCTIONS
1	LAMP RETURN 1
2	GROUND
3	LAMP RETURN 2
4	FAN RETURN
5	BODY FAN CONTROL
6	FAN FEED
7	LAMP RETURN 3
8	BODY FAN RTN
9	LAMP RETURN 4



WARNING: ALTERING THE DESIGN, TIMER SYSTEM, OR WIRING FROM THAT SHOWN HEREIN, WILL VOID THE WARRANTY, AND MAY RESULT IN A VIOLATION OF FEDERAL LAW.



HEAD END

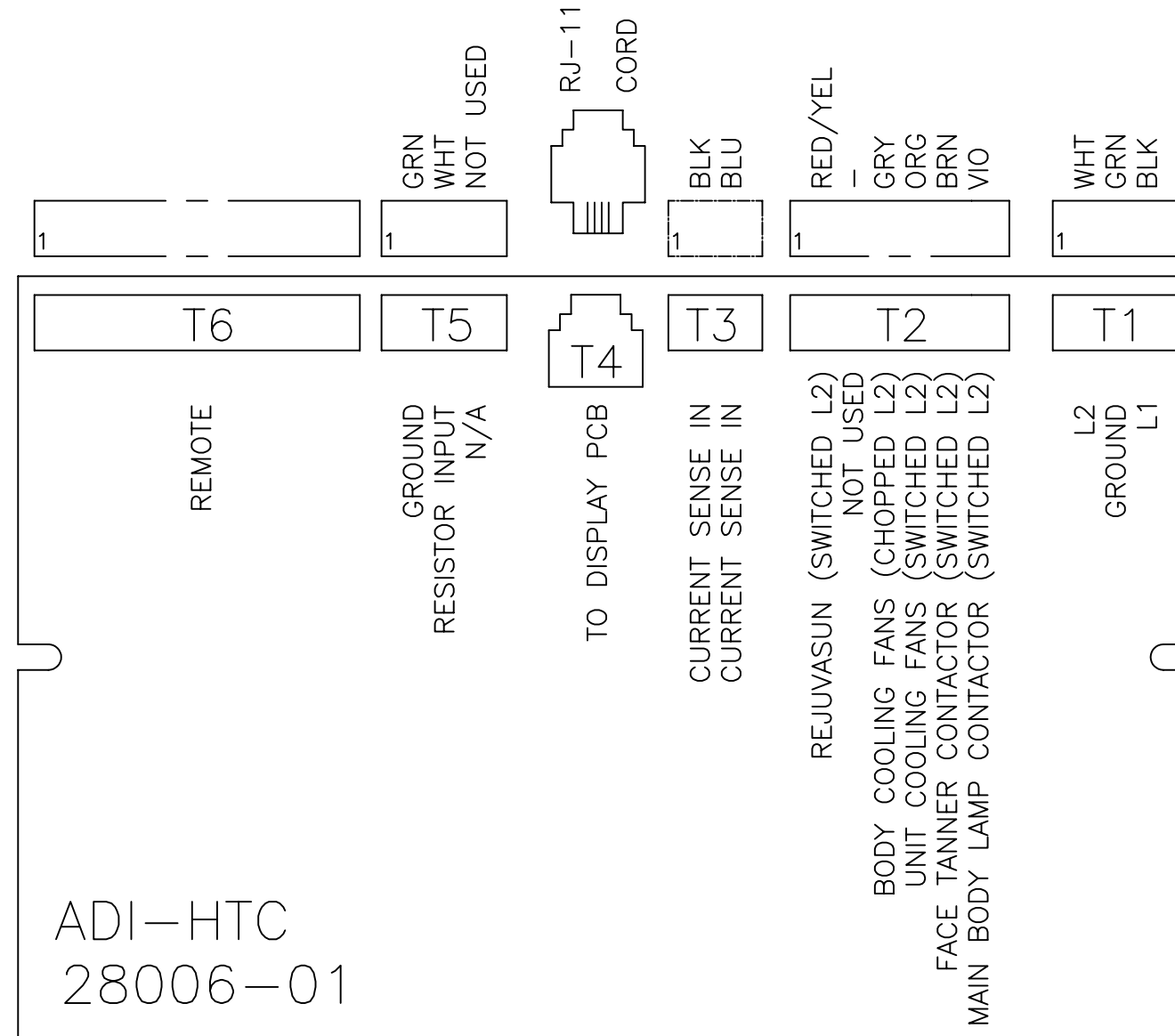
FOOT END

FRONT OF BED  
(BOTTOM SIDE UP)

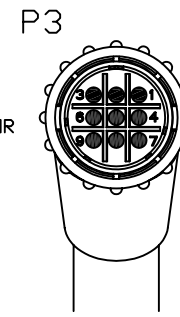
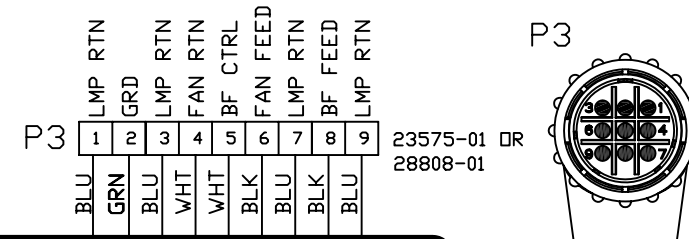
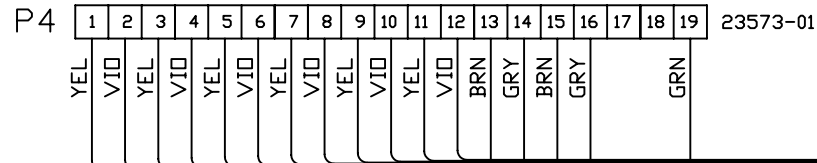
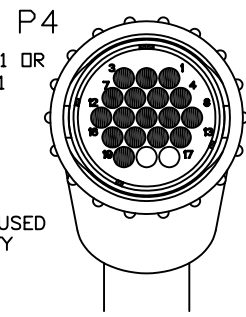
FAN HOUSING

OPTIONAL BODY FAN

BRN  
(12 PLCS)  
15913

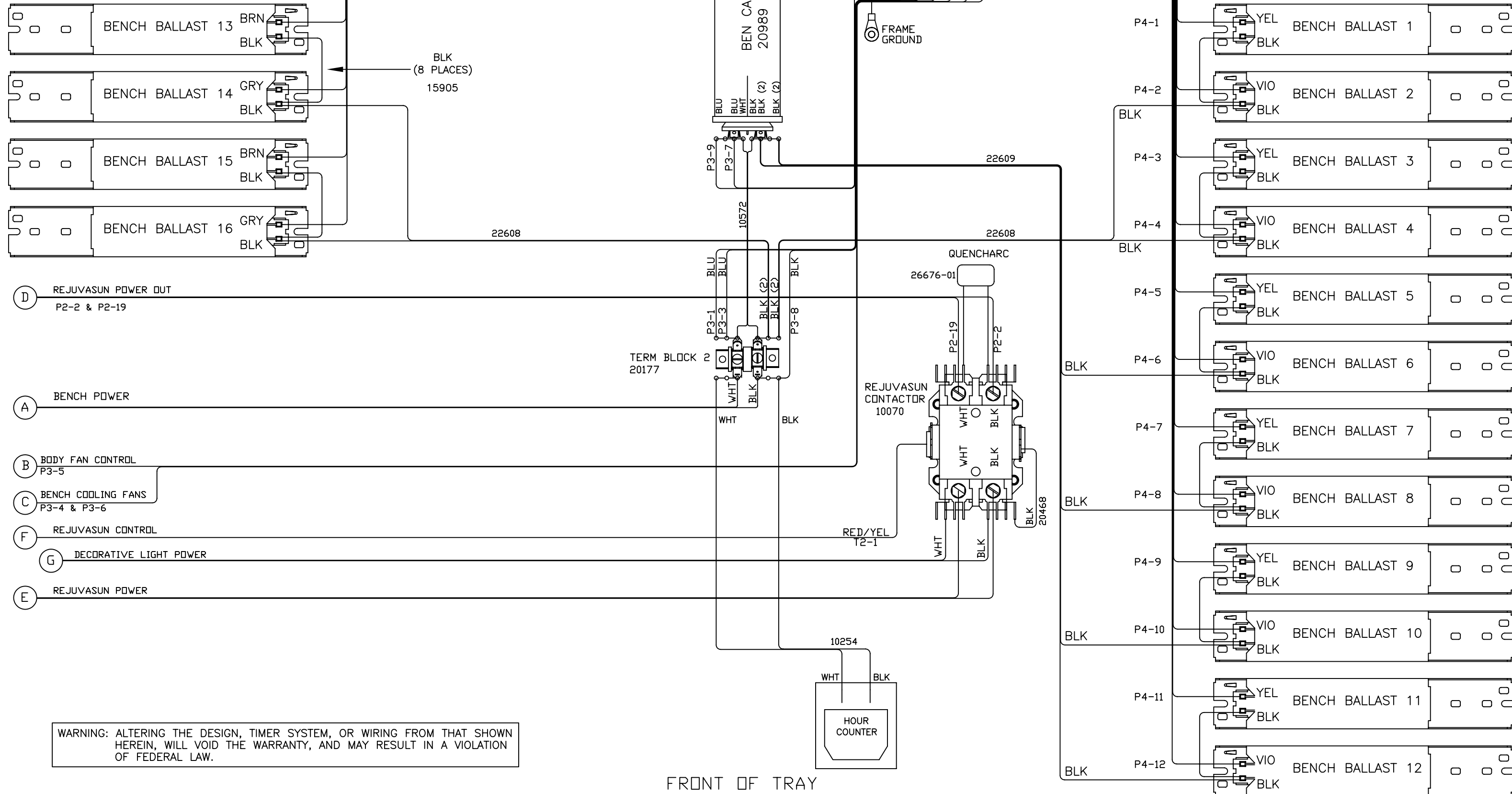


ELECTRONIC MAIN TIMER  
 CONNECTOR DIAGRAM  
 FOR THE 332-3F WITH REJUVASUN



● = PIN USED  
○ = EMPTY

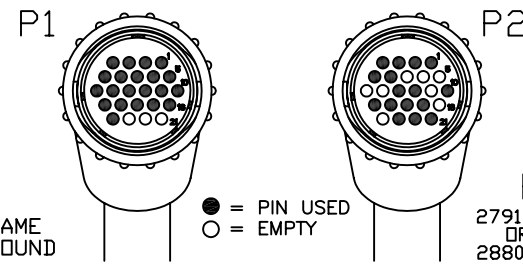
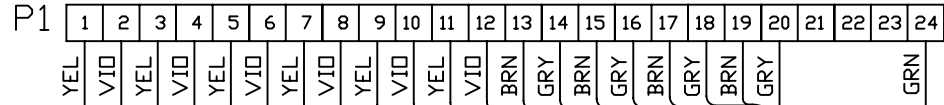
● = PIN USED  
○ = EMPTY



WARNING: ALTERING THE DESIGN, TIMER SYSTEM, OR WIRING FROM THAT SHOWN HEREIN, WILL VOID THE WARRANTY, AND MAY RESULT IN A VIOLATION OF FEDERAL LAW.

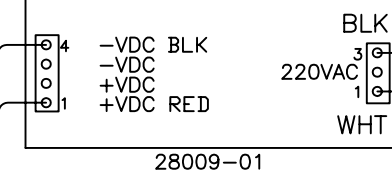
FRONT OF TRAY

23574-01 OR 28806-01



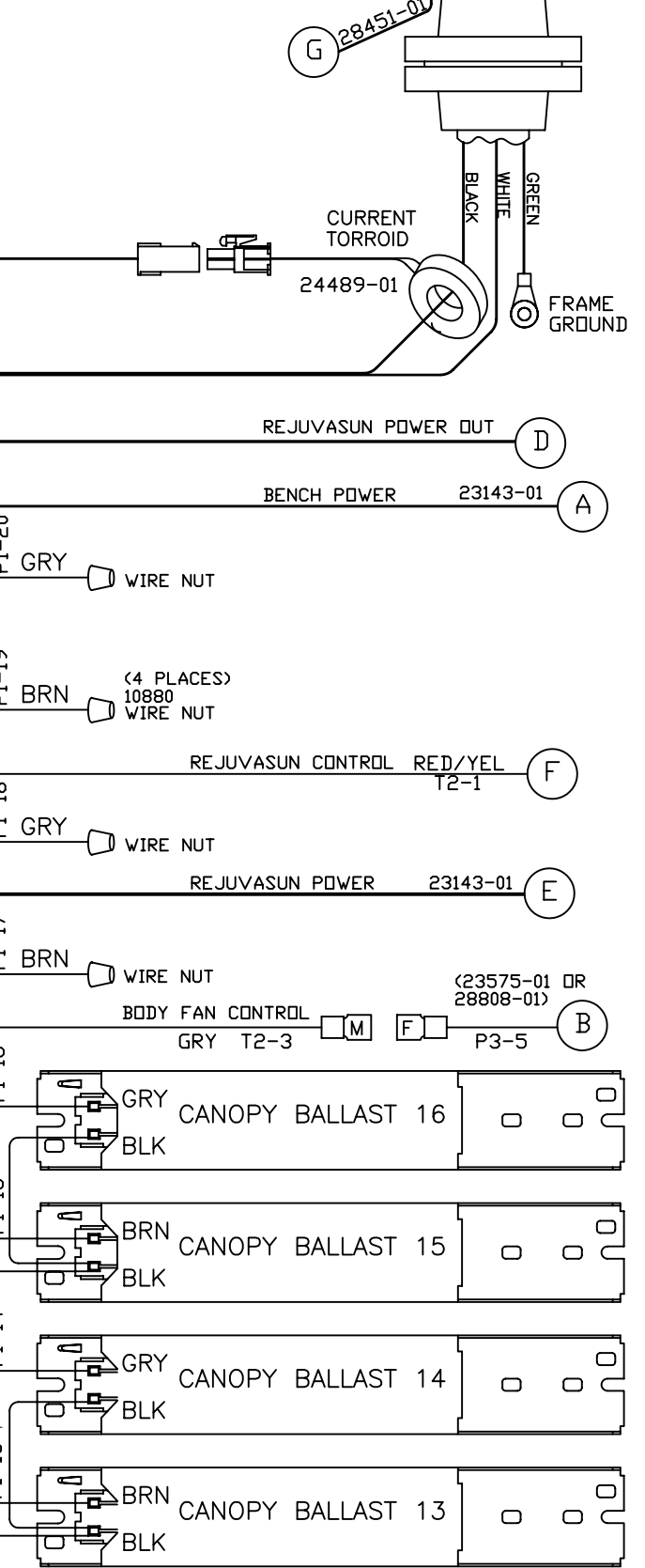
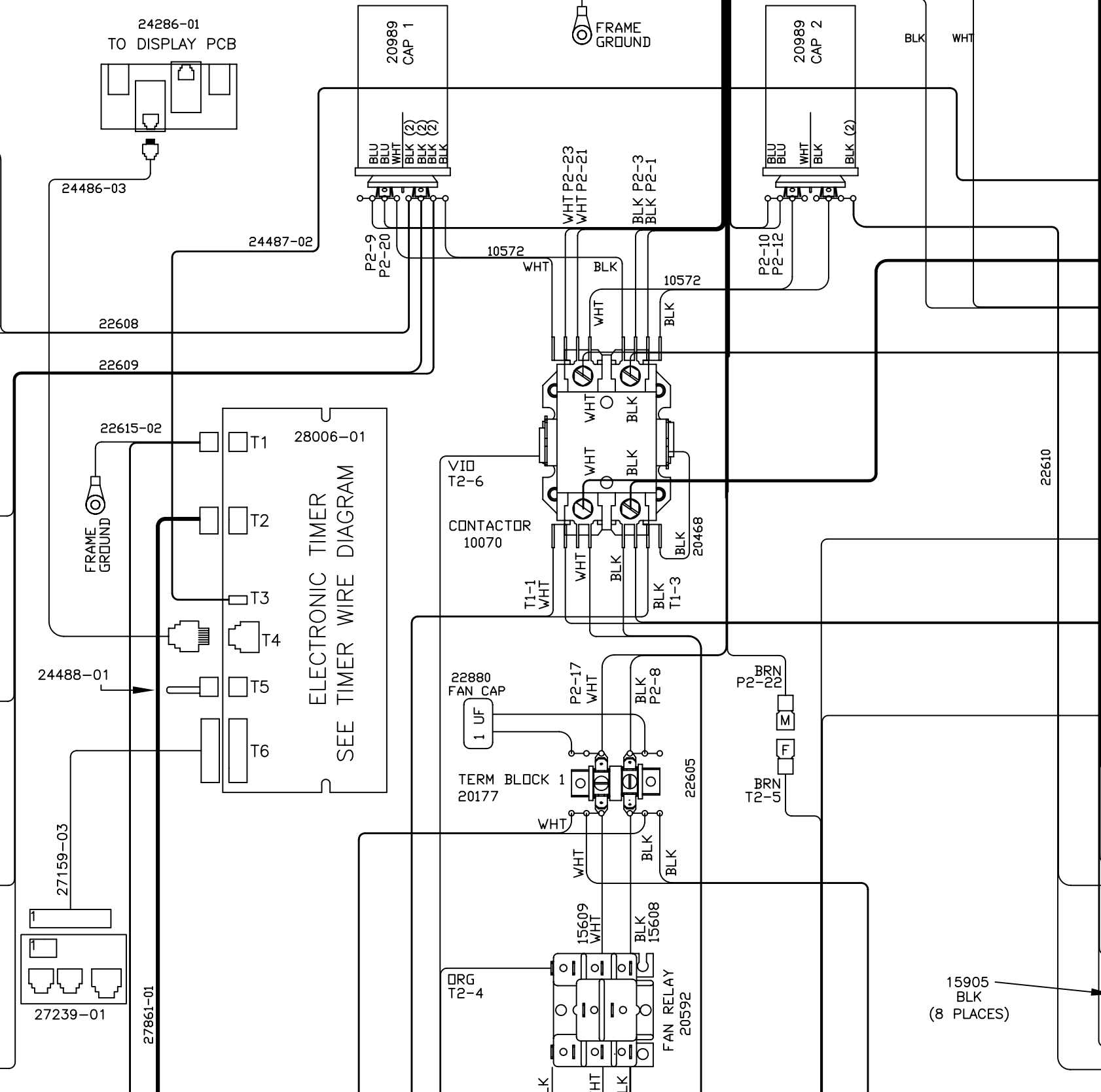
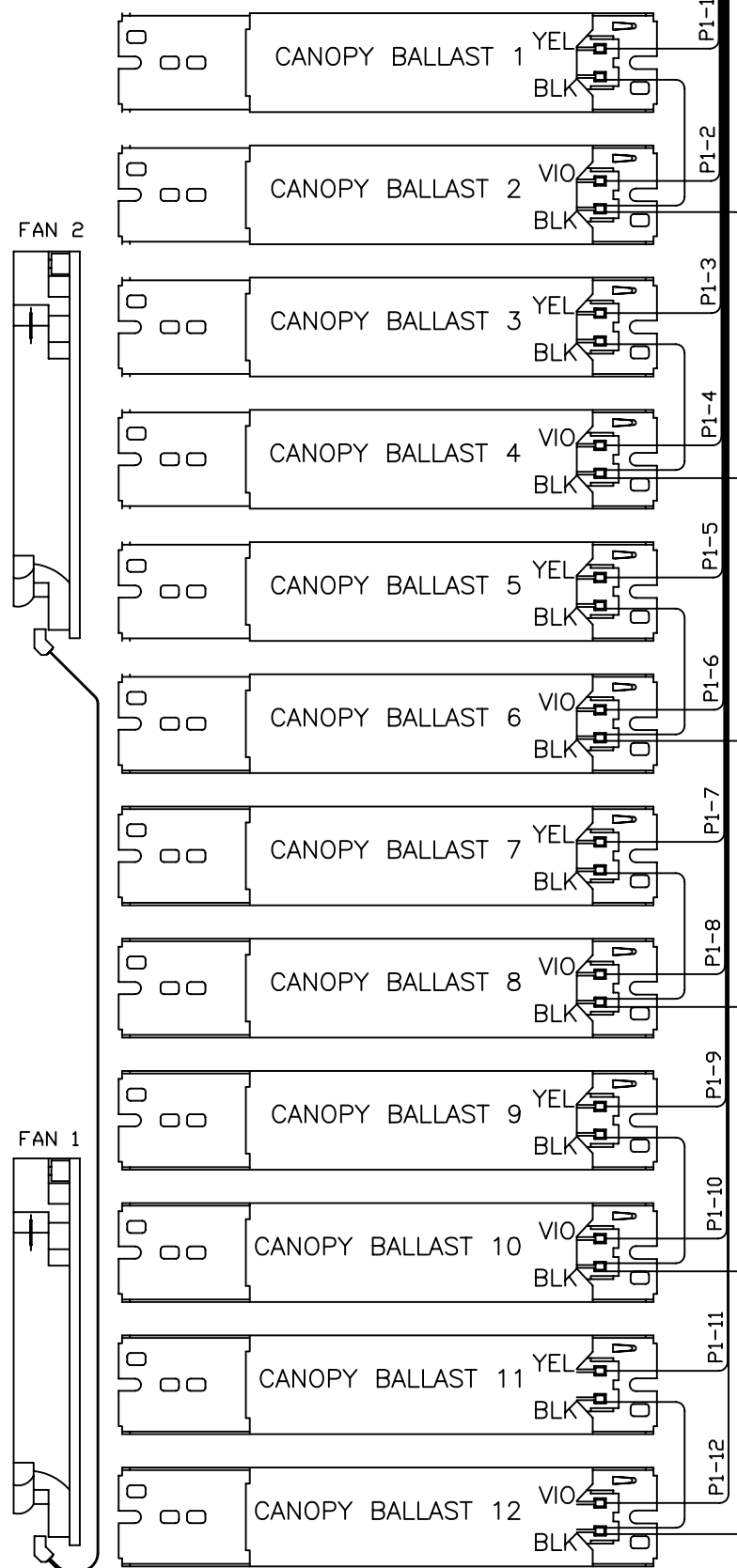
28349-01, REV B  
332-3F WITH REJUVASUN TRAY

DECORATIVE LITE POWER SUPPLY



POWER IN  
23878-03

28349-01, REV B  
332-3F WITH REJUVASUN TRAY



ELECTRONIC TIMER  
SEE TIMER WIRE DIAGRAM

24103-04

P3-4 & P3-6  
BENCH COOLING FANS (23575-01 OR 28808-01)